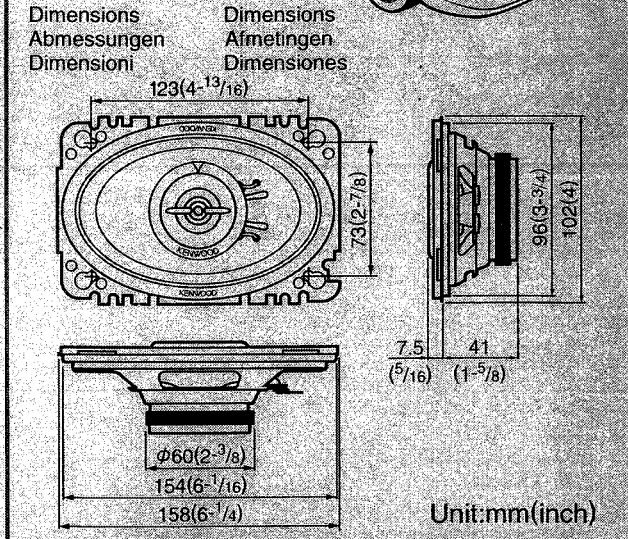
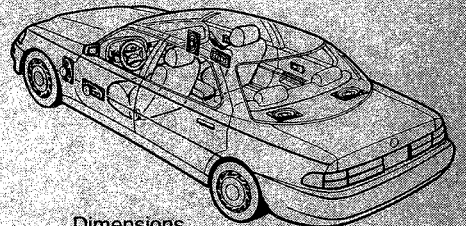


# DOOR/REAR DECK SPEAKER

## KFC-4675C

### INSTALLATION INSTRUCTIONS

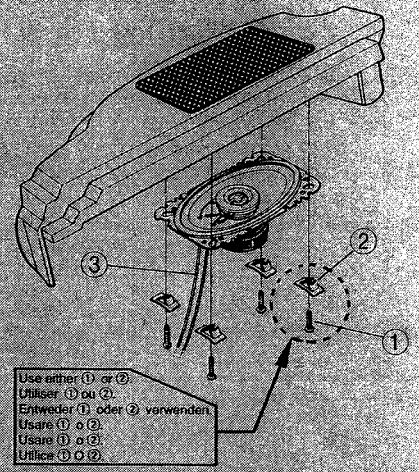
Speaker location  
 Emplacement des haut-parleurs  
 Platzierung der Lautsprecher  
 Plaats van luidspreker  
 Luogo di installazione dei altoparlanti  
 Ubicación de los altavoces



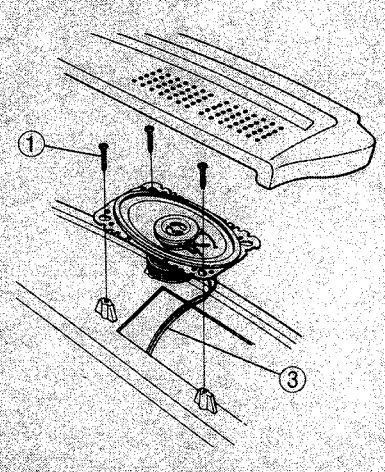
Installation  
 Einbau  
 Installazione

Installation  
 Installatie  
 Instalación

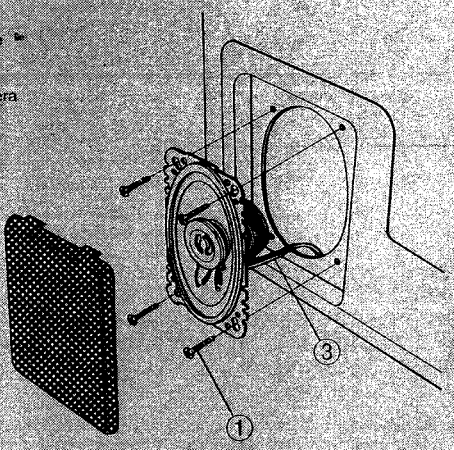
**A** Rear Hatch Side Panel  
 Plateau latéral arrière  
 Hinteres Seitenregal  
 Achterbak zijpaneel  
 Soaffale posteriore  
 Panel lateral del porton trasero



**B** Dual Dash  
 Tableau de bord  
 Armaturenbrett  
 Dashboard  
 Doppio cruscotto  
 Salpicadero


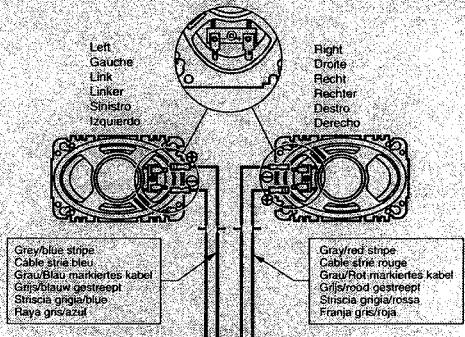


**C** Door Panel  
 Panneau de portière  
 Türverkleidung  
 Portierpaneel  
 Pannello della portiera  
 Panel de puerta



Connections  
 Anschlüsse  
 Collegamenti



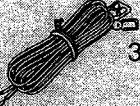
Raccordements  
 Aansluitingen  
 Conexiones

CAR AUDIO COMPONENTS  
 ELEMENTS HIFI POUR VOTURE  
 AUTO STEREO-KOMPONENTEN  
 AUTO STEREO-KOMPONENTEN  
 COMPONENTI AUDIO PER AUTO  
 COMPONENTES DE AUDIO PARA AUTOMOVILES

Parts included  
 Mitgeliefertes zubehör  
 Parti incluse

Pieces comprises  
 Bijgeleverde onderdelen  
 Partes incluidas

①		Ø4×20.....	×8
②		.....	×8
③		3m(10ft).....	×2

- Do not use the provided speaker cords for other purposes (such as a power cord). Otherwise malfunction or fire hazard could result.
- Ne pas utiliser les cordons de liaison aux enceintes pour une destination autre que celle prévue (par exemple, pour alimenter un appareil). Faute de quoi, un défaut de fonctionnement ou un incendie pourraient en résulter.
- Die mitgelieferten Lautsprecherkabel dürfen nicht für andere Zwecke verwendet werden (z.B. als Netzkabel), da dies eine Funktionsstörung oder die Gefahr eines Brandes verursacht.
- Gebruik de bijgeleverde luidsprekersnoeren niet voor andere doeleinden (bijvoorbeeld als netsnoer), daar dat mogelijk brand of andere problemen veroorzaakt.
- Non utilizzare i cavi dei diffusori in dotazione per scopi diversi (come, ad esempio, cavi di alimentazione). In caso contrario si possono causare incendi e folgorazioni.
- No utilice los cables de altavoces suministrados para otros propósitos (tales como los de un cable de alimentación). Si no, podrían producirse averías o peligros de incendio.

VOLUME 0.0046m<sup>3</sup>/0.16ft<sup>3</sup> WEIGHT 1.0kg/2.2lb

KENWOOD CORPORATION DESIGNED AND ENGINEERED IN JAPAN  
 TOKYO 150 JAPAN MADE IN MALAYSIA / FABRIQUE EN MALAISIE

# IMPORTANT SAFEGUARDS

# KENWOOD

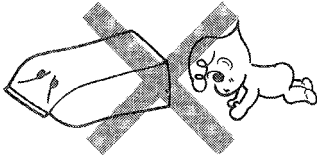
KENWOOD CORPORATION

**⚠ Caution : Read this page carefully to keep your safety.**

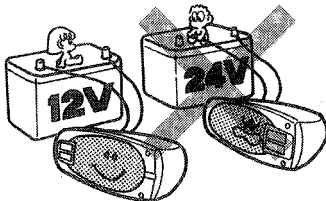
©PRINTED IN MALAYSIA 858-0467-00(W)(PT)  
90/12 11 1098 7654321 89/12 11 10

Please read all of the safety and operating instructions before operating this unit. For best results, follow all warnings placed on the unit and adhere to the operating and use instructions. These safety and operating instructions should be retained for future reference.

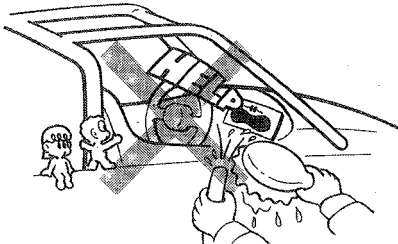
**1. Suffocation** — After taking the unit out of the polyethylene bag, be sure to dispose of the polyethylene bag out of the reach of children. Otherwise, they may play with the bag, which could cause hazard of suffocation.



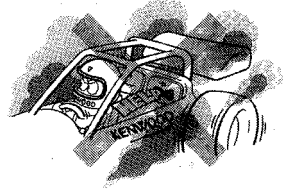
**2. Power supply voltage** — Connect the illumination lamp-equipped speakers to DC 12 V, negative ground.



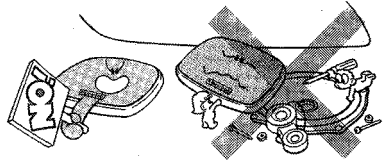
**3. Water and moisture** — Do not install the speakers in locations which may be subject to water or moisture.



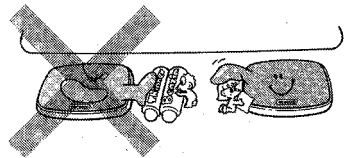
**4. Dust and unstable locations** — Do not install the speakers in unstable locations or locations subject to dust.



**5. Modification** — Do not attempt to open or modify the unit, for this could cause fire hazard or malfunction.

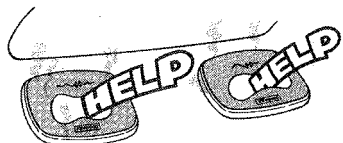


**6. Cleaning** — Do not use gasoline, naphtha, or any type of solvent to clean the speakers. Clean by wiping with a soft, dry cloth.



**7. Abnormal smell** — In the event the unit generates smoke or abnormal smell, immediately switch the power OFF. After this, please contact your dealer or nearest service station as soon as possible.

**POWER OFF!**



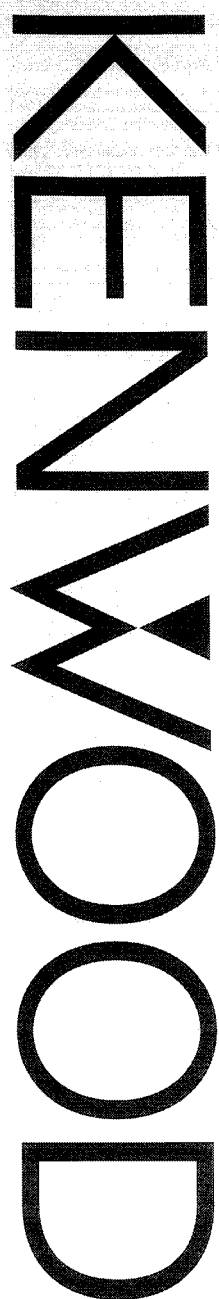
# Content

	Page
U.S.A.	2
Australia	3
Canada	4
Military	6
Belgique et Grand-duché de Luxembourg	8
Danmark	9
Deutschland	9
Nederland	10
Portugal	10
U.K. & Ireland	11
Österreich	11
Ellás	12
España	12
France	13
Italia	13
Suomi	14
Andorra	14
Iceland	14
Malta	14
Norge	15
Schweiz	15
Svizzera	15
Suisse	15
Sverige	15

Dear Customer,

Thank you for purchasing the Product. As mentioned on this page of this booklet, our Warranty is only valid in the countries listed. If your country is not listed please contact your retailer for information on warranty procedure or write to:

**KENWOOD Customer Information Center**  
 3-6-17 Aobadai  
 Meguro-ku Tokyo 153 JAPAN  
 Kenwood Corporation  
 Customer Information Center



# Warranty Card

Geräte-Typ und Seriennummer  
 Identification du produit  
 Produkt navn og serie nummer  
 Modelo y Número de serie  
 Malli ja sarjanumero  
 Μοντέλο και αριθμός σειράς  
 Modello e numero di matricola  
 Modell og serienummer  
 Modelo e numero de série  
 Apparat typ & serienummer  
 Identificatie van het produkt  
 Módel heiti og raðnúmer  
 Il-Mudell u s-serial number  
 Model name & serial number

Stempel und Unterschrift des Händlers  
 Revendeur & cachet  
 Forhandler  
 Distribuidor y sello  
 Jälleenmyyjä & leima  
 Συμπράξιο εταρτίας  
 Timbro del rivenditore  
 Forhandlerens navn og stempel  
 Agente e carimbo  
 Återförsäljare & stämpel  
 Dealer & stempel  
 Undirritun og stimpill söluáðila  
 Timbru tal-bejjiegh  
 Dealer & stamp

Kaufdatum  
 Date d'achat  
 Købsdato  
 Fecha de compra  
 Ostopäivä  
 Ημερομηνία αγοράς  
 Data di acquisto  
 Kjøpt dato  
 Data de compra  
 Inköpsdatum  
 Aankoopdatum  
 Söluðagur  
 Id-data ta' meta nxtara  
 Purchase date

Name und Anschrift des Käufers  
 Nom & adresse du client  
 Købers navn og adresse  
 Nombre y dirección del cliente  
 Asiakkaan nimi & osoite  
 Ονομα και διεύθυνση αγοραστή  
 Nome e indirizzo del cliente  
 Kundens navn og adresse  
 Nome e morada do comprador  
 Kundens namn & adress  
 Naam & adres van de klant  
 Nafn og heimilisfang kaupanda  
 L-isem u l-indirizz tax-xerrej  
 Name & address of customer

The tables of content are a back cover.

This warranty will be honored only in the U.S.A.

## **KENWOOD LIMITED WARRANTY FOR CAR STEREO COMPONENTS**

### **HOW LONG IS THE WARRANTY**

Kenwood U.S.A. Corporation ("Kenwood") warrants this product for a period of one (1) year from the date of original purchase.

### **WHAT IS COVERED AND WHAT IS NOT COVERED**

Except as specified below, this warranty covers all defects in material and workmanship in Kenwood car stereo components. The following are not covered by the warranty:

1. Any product which is not distributed in the U.S.A. by Kenwood or which is not purchased in the U.S.A. from an authorized Kenwood car stereo dealer or an automobile dealer, unless the product is purchased through the U.S.A. Military Exchange Service.
2. Any product on which the serial number has been defaced, modified or removed.
3. Damage, deterioration or malfunction resulting from:
  - a. Any shipment of the product (claims must be presented to the carrier).
  - b. Installation or removal of the product.
  - c. Accident, acts of nature, misuse, abuse, neglect, unauthorized product modification or failure to follow instructions supplied with the product.
  - d. Repair or attempted repair by anyone not authorized by Kenwood.
  - e. Any other cause which does not relate to a product defect.

### **WHO IS PROTECTED**

This warranty is enforceable only by the original purchaser.

### **WHAT WE WILL PAY FOR**

We will pay for all labor and material expenses for covered items. Payment of shipping charges is discussed in the next section of this warranty.

### **HOW TO OBTAIN WARRANTY SERVICE**

If your KENWOOD product ever needs service:

1. Take or ship it to any KENWOOD Authorized Service Center in the U.S.A. along with a complete description of the problem. (if you are uncertain as to whether a Service Center is authorized, please call 1-800-KENWOOD for the nearest Service Center. 1-800-536-9663).
2. Although you must pay any shipping charges if it is necessary to ship the product for warranty service, we will pay the return shipping charges if the repairs are covered by the warranty within the United States.
3. Whenever your units are taken or sent for warranty service, you must include a copy of the original dated sales receipt as proof of warranty coverage.

### **LIMITATION OF IMPLIED WARRANTIES**

ALL IMPLIED WARRANTIES, INCLUDING WARRANTIES OF MERCHANTABILITY AND FITNESS FOR A PARTICULAR PURPOSE, ARE LIMITED IN DURATION TO THE LENGTH OF THIS WARRANTY.

### **EXCLUSION OF DAMAGES**

KENWOOD'S LIABILITY FOR ANY DEFECTIVE PRODUCT IS LIMITED TO THE REPAIR OR REPLACEMENT OF THE PRODUCT AT OUR OPTION. KENWOOD SHALL NOT BE LIABLE FOR:

1. INSTALLATION OR REMOVAL CHARGES, DAMAGE TO OTHER PROPERTY CAUSED BY ANY DEFECTS IN KENWOOD CAR STEREO COMPONENTS, DAMAGES BASED UPON INCONVENIENCE, LOSS OF USE OF THE PRODUCT; OR
2. ANY OTHER DAMAGES, WHETHER INCIDENTAL, CONSEQUENTIAL OR OTHERWISE.

SOME STATES DO NOT ALLOW LIMITATIONS ON HOW LONG AN IMPLIED WARRANTY LASTS AND/OR DO NOT ALLOW THE EXCLUSION OR LIMITATION OF INCIDENTAL OR CONSEQUENTIAL DAMAGES, SO THE ABOVE LIMITATIONS AND EXCLUSIONS MAY NOT APPLY TO YOU.

This warranty gives you specific legal rights, and you may also have other rights which vary from state to state.

If a problem develops during or after the Limited Warranty Period, or if you have any questions regarding the operation of the product, you should contact your KENWOOD Authorized Dealer or Authorized Service Center. If the problem or your question is not handled to your satisfaction, please contact our Customer Relations Department at the address listed below: